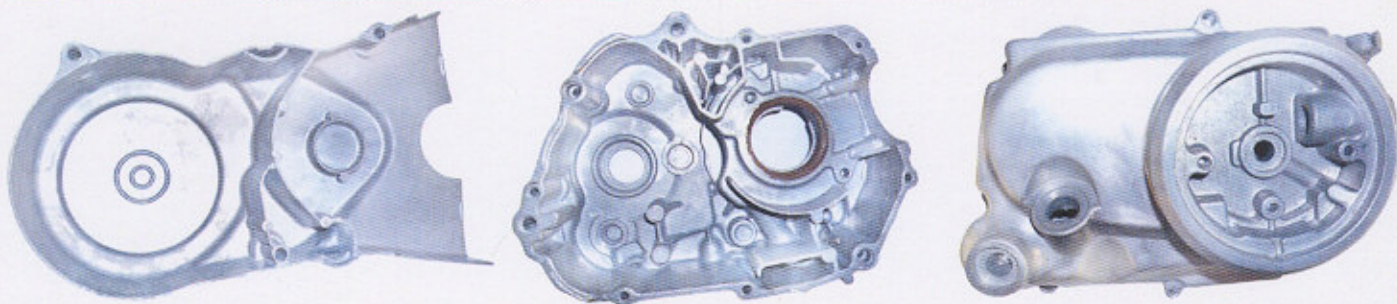
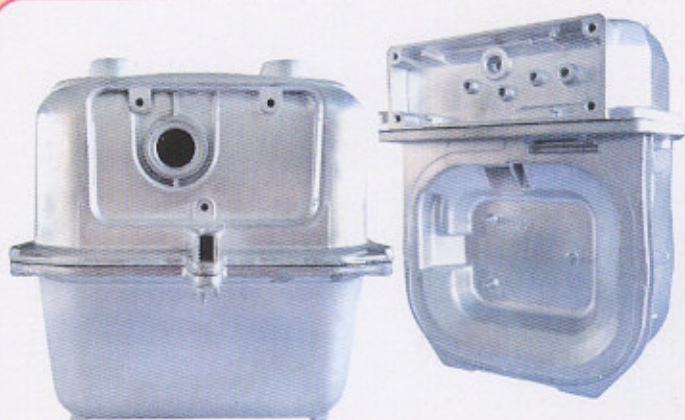
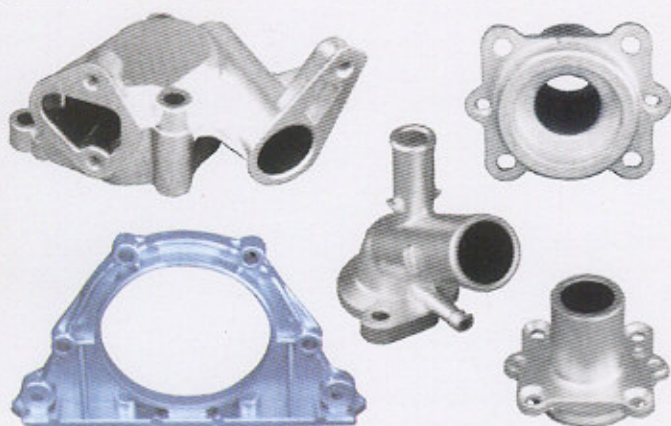
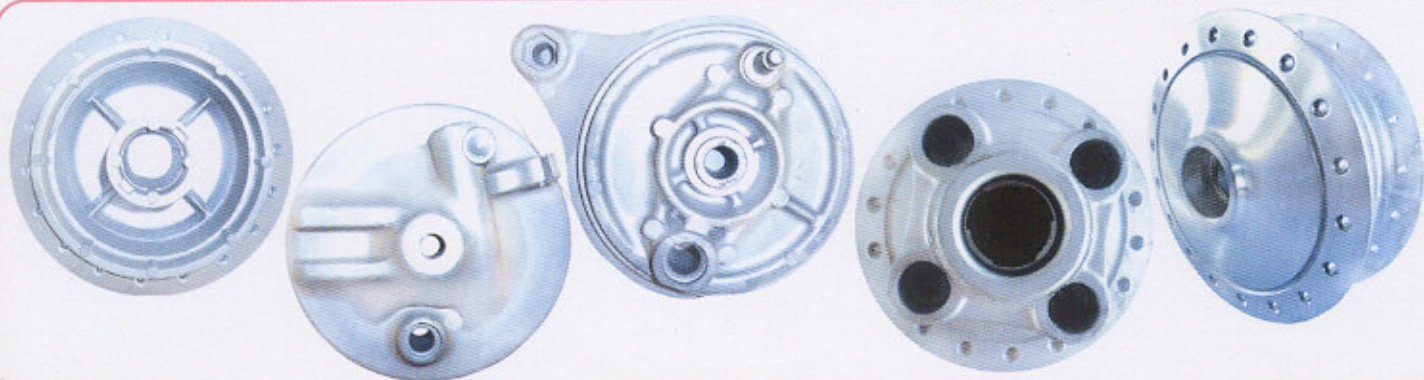


# PRESSURE DIE CAST PARTS

IN NON-FERROUS ALLOYS LIKE  
ALUMINUM COPPER AND ZINC



We produce pressure diecast parts for automotive, gas distribution and electrical industries. We also have the requisite facilities for development of components and quality die making as well.



**PAKISTAN MACHINE TOOL FACTORY**

A Company of State Engineering Corporation  
Ministry of Industries & Production, Government of Pakistan



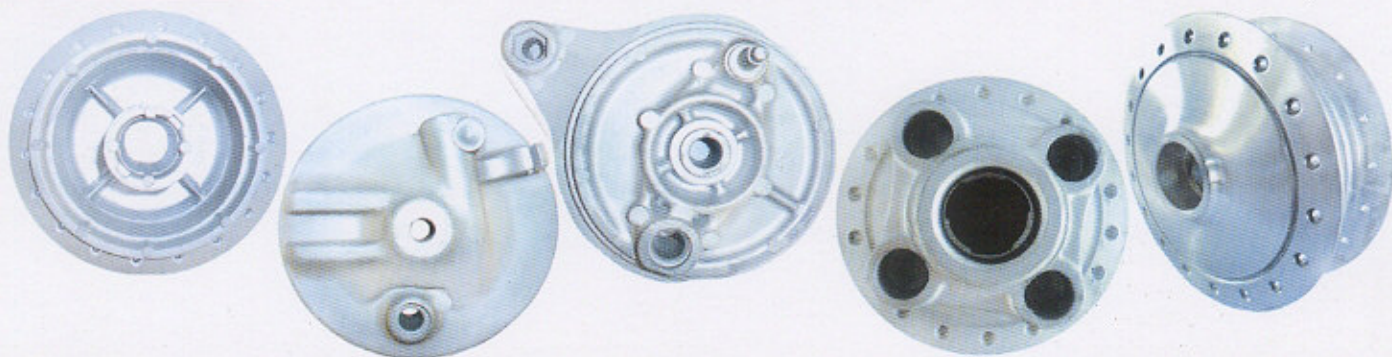
# PRESSURE DIE CAST PARTS

IN NON-FERROUS ALLOYS LIKE ALUMINUM COPPER AND ZINC

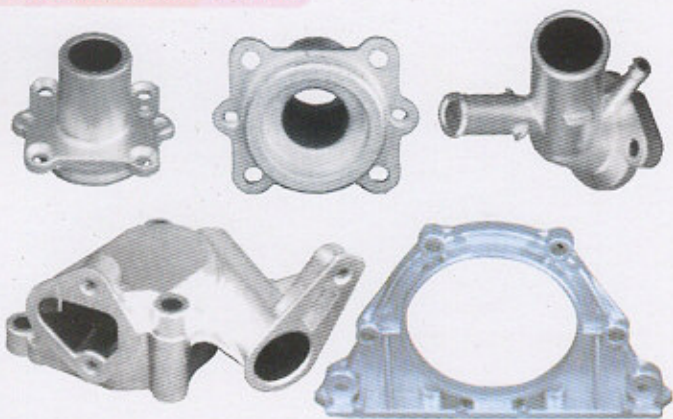
## Complete Crankcase of 70-CC Motorcycle



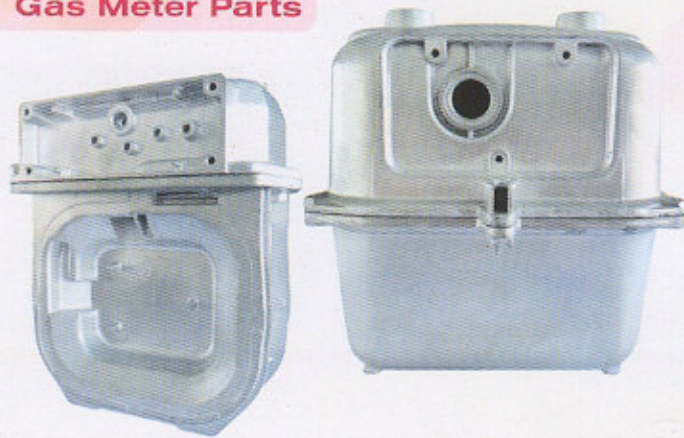
## Motorcycle Parts



## Suzuki Car Parts



## Gas Meter Parts



### SERVICES

Free Service available on design, use and application of aluminum, zinc, and copper alloys.

### CAPACITY

We are equipped to produce aluminum pressure die casting up to 11.5 kg (about 251bs) in weight, and 2600 cm<sup>2</sup> (about 410 sq. Inch) in area at a locking force up to 700 tons.

- GAS METER DIECAST PARTS.
- HONDA MOTORCYCLE DIECAST WHEEL PARTS FOR MODEL CD-70 & CG-125.
- COMPLETE CRANKCASE AND TRANSMISSION ASSEMBLY OF 70-cc MOTORCYCLE.
- MACHINED DIECAST WHEEL PARTS OF SUZUKI MOTORCYCLE.
- SUZUKI CAR PARTS FOR MODEL SB-308.



The manufacturer reserves the right to alter design specification for technical reasons.

**PAKISTAN MACHINE TOOL FACTORY**

PMTF Road, Off National Highway, Karachi-75030

Tel: (+92-21) 35080956, 35082451-4, Fax: (+92-21) 35082450

E-mail: md@pmtfl.com, gmbdpmtf@hotmail.com, web: www.pmtfl.com

