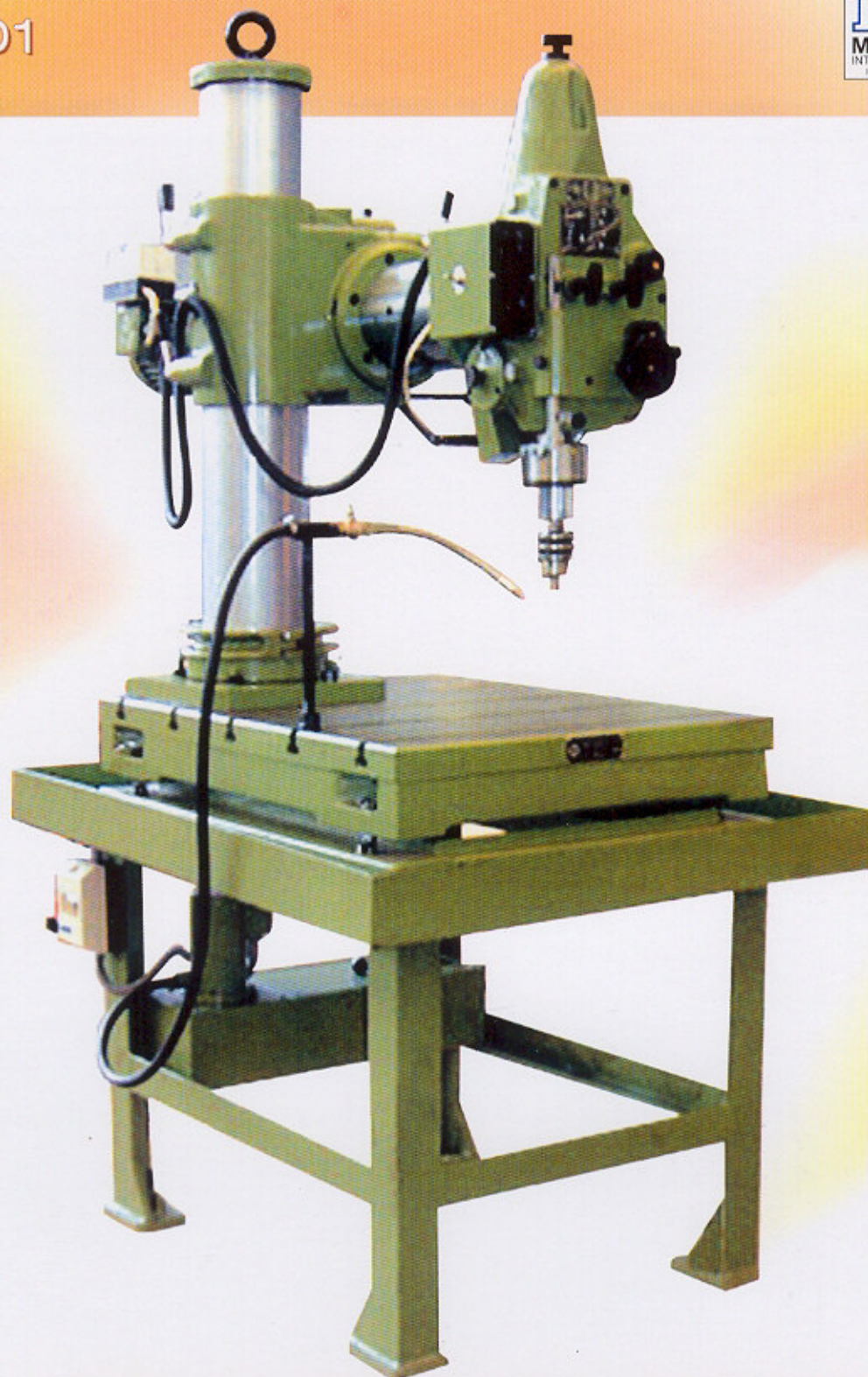


# PAK-OERLIKON UNIVERSAL BORING, DRILLING & MILLING MACHINE

MODEL : D1



**PAKISTAN MACHINE TOOL FACTORY**

A Company of State Engineering Corporation  
Ministry of Industries & Production, Government of Pakistan





# UNIVERSAL BORING, DRILLING & MILLING MACHINE

MODEL : D1



## CHARACTERISTICS

### DRILLING & BORING CAPACITY:

Drilling capacity max in C I	mm	Ø32
Boring capacity (above this dia with special care only)	mm	Ø65

### BASE PLATE:

Working surface	mm	700 x 880
No. of slots		5
Width of slots	mm	18
Spacing of slot	mm	180

### SPINDLE:

Spindle nose taper		MT3
Spindle quill	mm	150
Horizontal travel of Spindle head	mm	390
Vertical travel of spindle head	mm	590
Swivel of spindle head	deg.	±180
Accuracy of reading - off	mm	0,02

### SPEED:

Number of speeds		8
Speed steps	RPM	25-50-80-160-400 800-1280-2660

### FEEDS:

No. of feeds		3
Feed steps	mm/rev.	0.06-0.12-0,25
Approx Weight	kg	660
Approx-shipping volume	cu.m	2.75 without stand 4 with stand
Approx-shipping dim (LxWxH)	mm	1762 x 1012 x 1551 without stand 1762 x 1012 x 2281 with stand

### MAIN FEATURE:

- Versatile combination machine
- Ready mobility with/without stand
- Ideally suitable for fabrication shops
- Indispensable AID for metal working and assembly shops

### STANDARD EQUIPMENT:

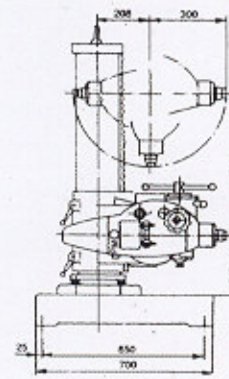
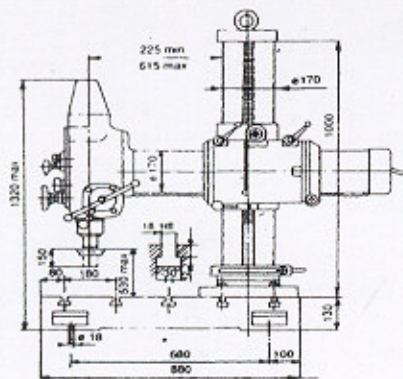
- Electric motor 1500/3000 rpm
- Electrical equipment including motor 400V±5% 50 C/S, 3 Phase
- Service tools
- Grease gun
- Foundation bolts
- Operation & maintenance manual

### EQUIPEMENT AT EXTRA COST:

- Colant system
- Co-ordinate table  
Model LAC H28

### TRAVERSES:

Longitudinal	mm	320
Cross	mm	300
• Machine vice		LAV 018
• Rotary Table		LAR 025
• Rotary Table		LAR 040
• Beam light		L80 563



The manufacturer reserves the right to alter design specification for technical reasons.  
**PAKISTAN MACHINE TOOL FACTORY**  
 PMTF Road, Off National Highway, Karachi-75030  
 Tel: (+92-21) 35080956, 35082451-4, Fax: (+92-21) 35082450  
 E-mail: md@pmtf.com, gmbdpmtf@hotmail.com, web: www.pmtf.com

