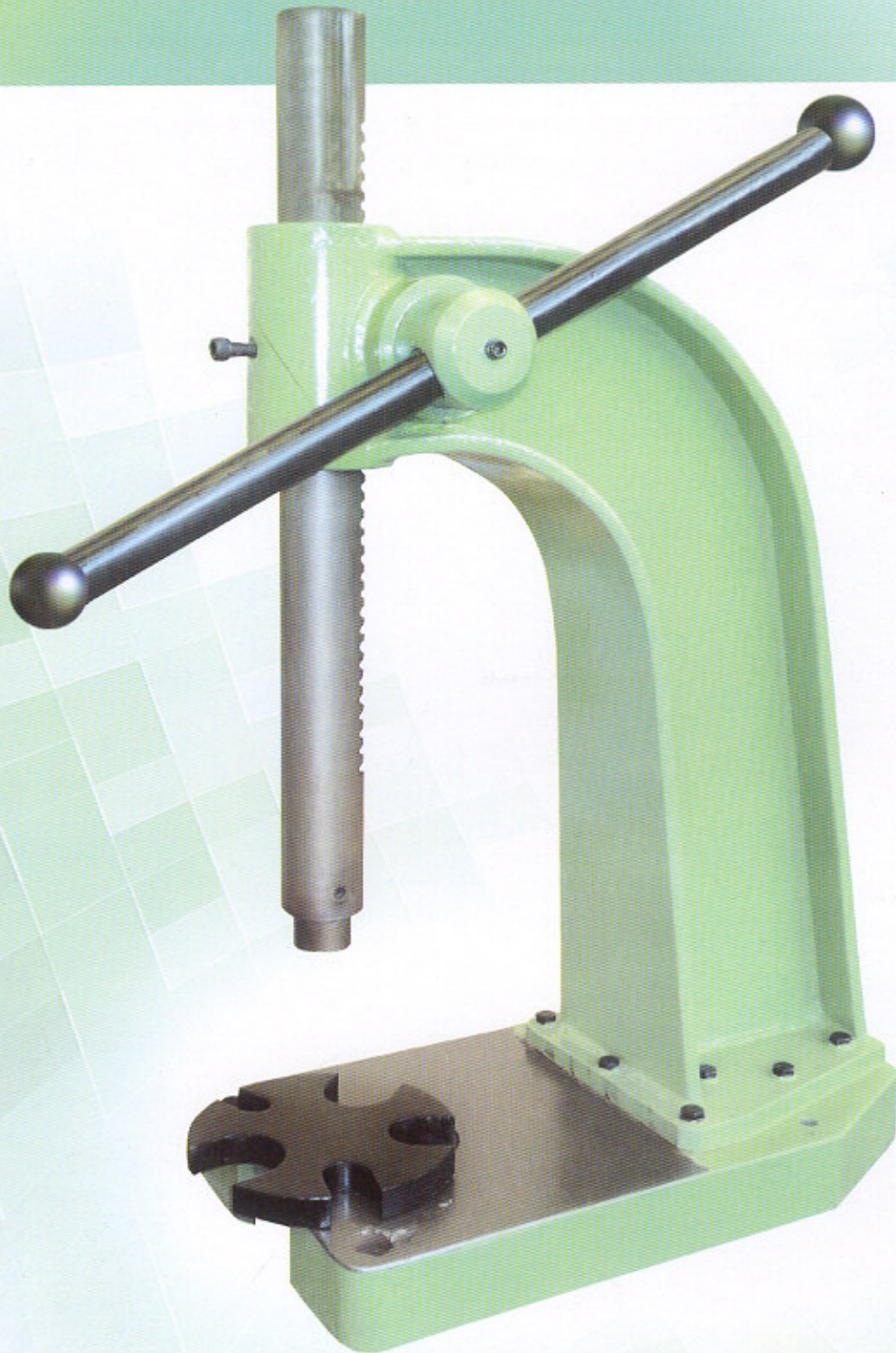


# PAK-OERLIKON ARBOR PRESS

MODEL : PMA 000



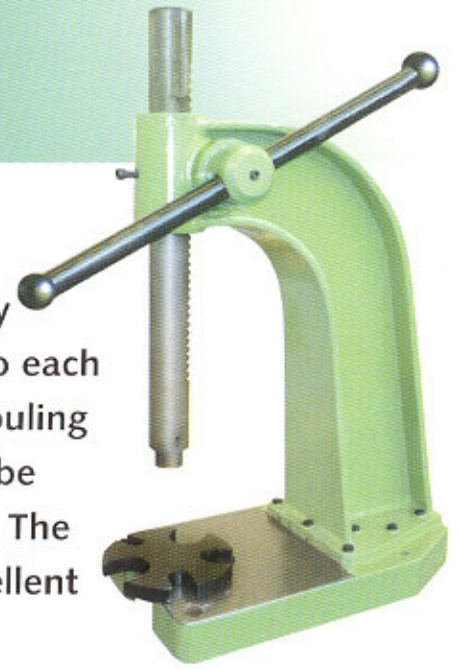
**PAKISTAN MACHINE TOOL FACTORY**

A Company of State Engineering Corporation  
Ministry of Industries & Production, Government of Pakistan



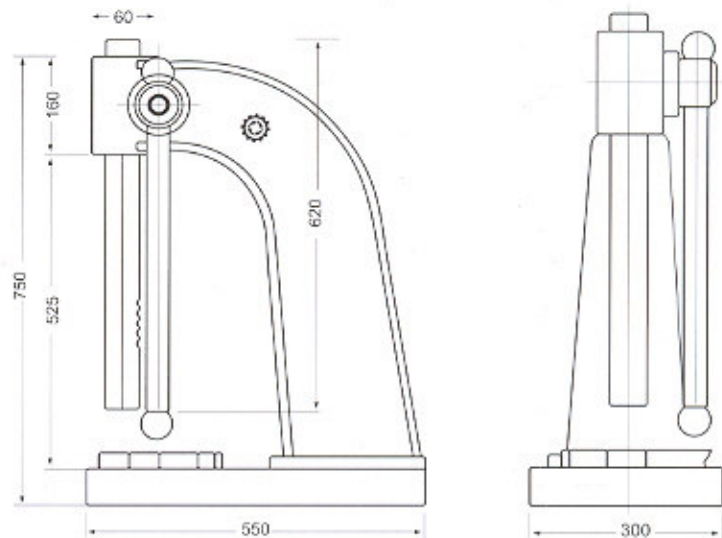
# PAK-OERLIKON ARBOR PRESS

MODEL : PMA 000



The Arbor Press PMA 000 is a handsomely engineered product. The pinion and ram are made from high-quality case-hardening steel. Accurately located with respect to each other, the pinion and ram run very smoothly without fouling or excessive backlash. The ram stroke is guaranteed to be perpendicular within 0.2 mm over a length of 500 mm. The column is a welded steel structure and the base is excellent quality grey iron casting in attractive finish.

Suitable for all  
**bench - fitting**



## CHARACTERISTICS

Total vertical clearance	mm	525
Effective stroke of ram	mm	430
Throat clearance at base from centre line of ram	mm	245
Approximate weight	kg	137
Shipping volume	m <sup>3</sup>	0.14



The manufacturer reserves the right to alter design specification for technical reasons.

**PAKISTAN MACHINE TOOL FACTORY**

PMTF Road, Off National Highway, Karachi-75030

Tel: (+92-21) 35080956, 35082451-4, Fax: (+92-21) 35082450

E-mail: md@pmtf.com, gmbdpmtf@hotmail.com, web: www.pmtf.com

